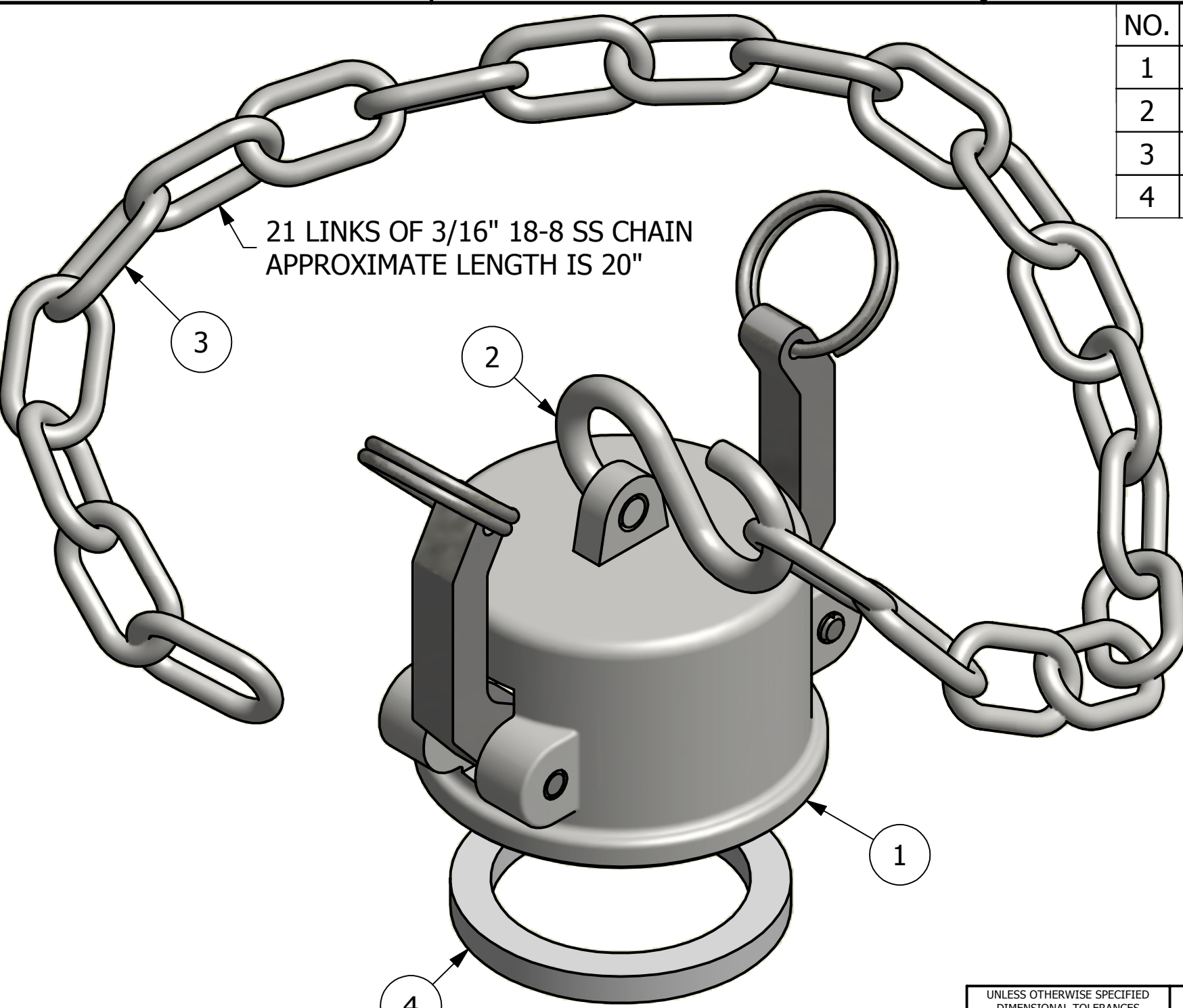
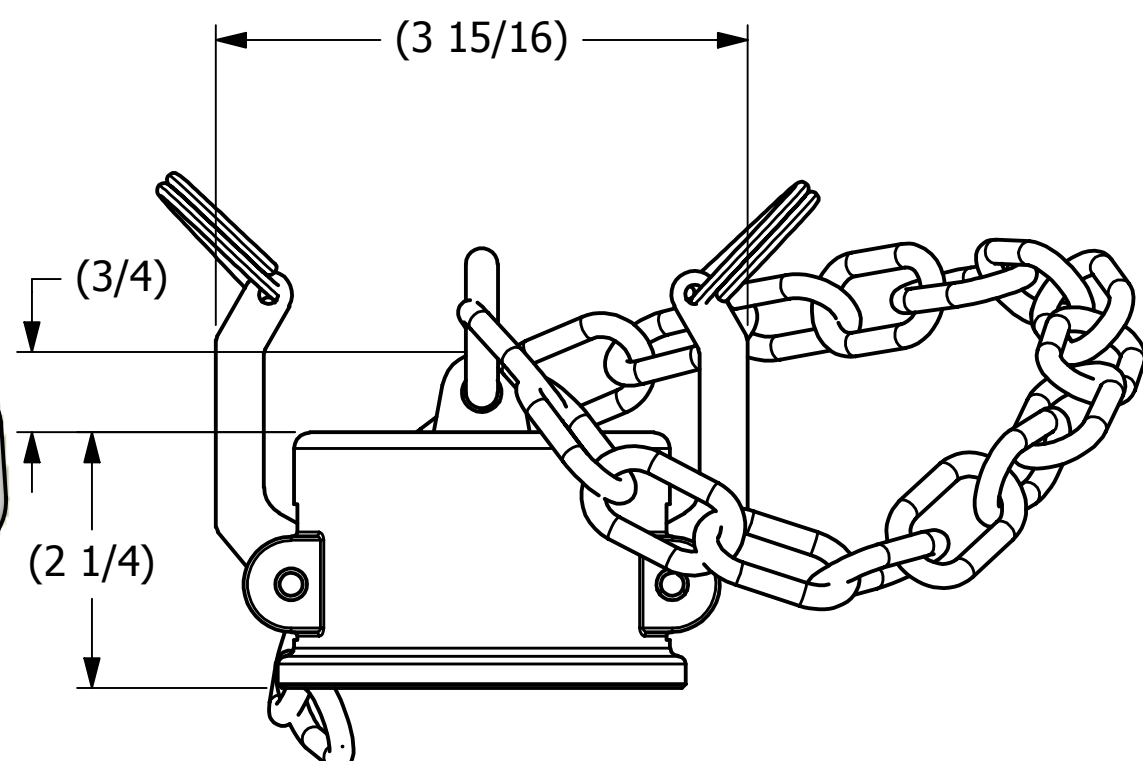


SALES DRAWING

SALES DRAWING



NO.	PART NAME	PART#	REQ'D	MATERIAL
1	DUST CAP 2"	K20SDC1	1	316 SS
2	S-HOOK 1/4" X 2 1/2"	SC25SHS	1	18-8 SS
3	CHAIN LINK 3/16"	SC28SS	22	18-8 SS
4	DUST CAP GASKET 2"	PD2DCG173	1	WHITE FDA VITON A



SCALE 2:3

A	RJP	11-9-15	RELEASED FOR PRODUCTION
REV	BY	DATE	DESCRIPTION

<small>UNLESS OTHERWISE SPECIFIED DIMENSIONAL TOLERANCES</small> FRACTIONAL: ±1/16 X.XX: ±.03 X.XXX: ±.015 ANGULAR: ±1° <small>DEBURR ALL SHARP EDGES. ALL MACHINED SURFACES TO HAVE A 125 RMS FINISH UNLESS NOTED OTHERWISE.</small> <small>THIRD ANGLE PROJECTION</small>	DRAWN BY:	RJP
	CHECKED BY:	EJF
	PROTOTYPE BY:	RJP
	PROTOTYPE DATE:	11/4/2015
	APPROVED FOR PRODUCTION BY:	CHL
	PRODUCTION DATE:	11/4/2015

SALCO PRODUCTS, INC.

PART NAME: **DUST CAP 2"**

MATERIAL: **SEE BOM**

PROJECT #: **R1510301** SHEET #: **1 OF 1** SCALE: **1:1**

DRAWING #: **B42645** PART #: **K20SDC173A**

THIS PRINT, PROPERTY OF SALCO PRODUCTS INC., CONTAINS PROPRIETARY INFORMATION AND MUST NOT BE COPIED, REPRODUCED, OR USED DETRIMENTALLY TO OUR INTEREST.